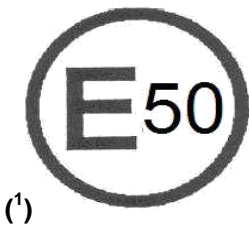


ANNEX 1



Communication concerning (²):

APPROVAL GRANTED
~~APPROVAL EXTENDED~~
~~APPROVAL REFUSED~~
~~APPROVAL WITHDRAWN~~
PRODUCTION DEFINITELY DISCONTINUED

of a vehicle type with regard to safety-belt anchorages and ISOFIX anchorages systems and ISOFIX top tether anchorage if any pursuant to Regulation No. 14.

Approval No.: E50 14R-070005 Extension No.: ---

- | | | |
|----|---|---|
| 1. | Trade name or mark of the power-driven vehicle: | CTA |
| 2. | Type of vehicle: | R-CTAFY6 PG |
| 3. | Manufacturer's name and address: | C.T.A. S.r.l.
Via Groenlandia, 23
POMEZIA (RM) - ITALIA |
| 4. | If applicable, name and address of manufacturer's representative: | N.A. |

Approval No.: E50 14R-070005 Extension No.: ---



5. **Designation of the type of belts and retractors authorized for fitting to the anchorages with which the vehicle is equipped:**

see information folder n. CTACRS11

			Anchorage on*	
			vehicle structure	seat structure
Front	Right-hand seat	Lower outboard anchorages	Ar	---
		Lower inboard anchorages	---	Ar
		Upper anchorages	Ar	---
	Middle seat	Lower outboard anchorages	---	---
		Lower inboard anchorages	---	---
		Upper anchorages	---	---
	Left-hand seat	Lower outboard anchorages	Ar	---
		Lower inboard anchorages	---	Ar
		Upper anchorages	Ar	---
Rear	Right-hand seat	Lower outboard anchorages	---	---
		Lower inboard anchorages	---	---
		Upper anchorages	---	---
	Middle seat	Lower outboard anchorages	---	---
		Lower inboard anchorages	---	---
		Upper anchorages	---	---
	Left-hand seat	Lower outboard anchorages	---	---
		Lower inboard anchorages	---	---
		Upper anchorages	---	---

*Insert in the actual position the following letter(s):

"A" for a three-point belt,

"B" for lap belts,

"S" for special-type belts; in this case the type shall be stated under "Remarks",

"Ar", "Br" or "Sr" for belts with retractors,

"Ae", "Be" or "Se" for belts with an energy absorption device,

"Are", "Bre" or "Sre" for belts with retractors and energy-absorption devices on at least one anchorage.

Remarks:

ANCHORAGES SYSTEMS DESTINED FOR TYPE FIAT 250 DUCATO (COMMERCIAL NAME: X250 - X290):


Valid for categories of vehicle M1-N1-M2-N2-M3-N3

The structural changes which are made on the original vehicle are only concerning the cab on it the action is taken by removing part of the rear wall and roof. This cut does not affect the structural characteristics of the cab and this can free up the passage between the cab and the rear compartment housing.

In comparison with the original vehicle, the two systems change each other for the installation of a swivel plate between the seat and the basket. Both systems have swivel plate with brand CTA, this can be of two different types causing a changement in the position of the "H" point, height of +43 mm or +58 mm. The plates can be connected to a footboard.

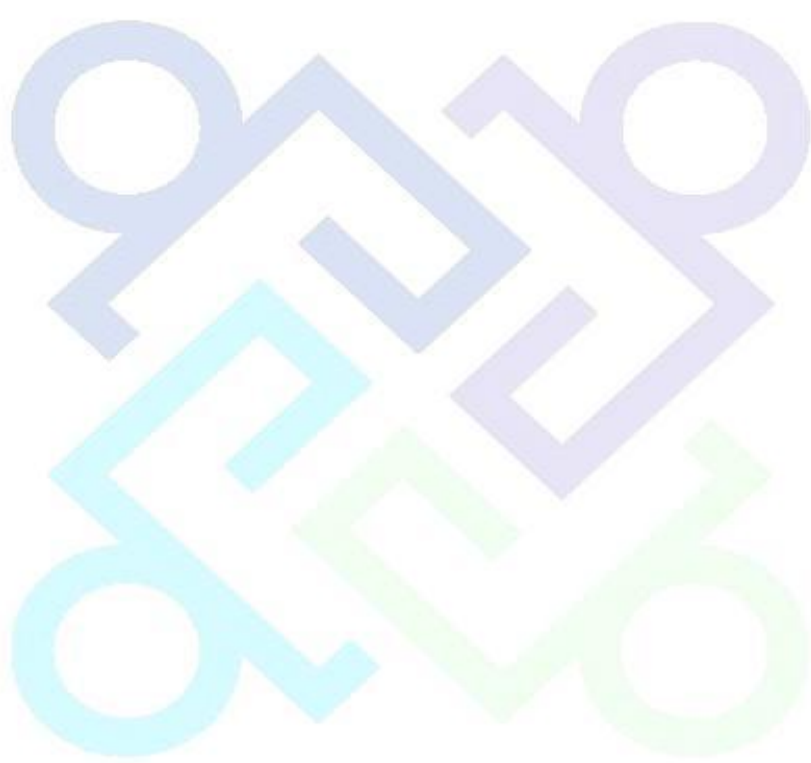
Approval No.: E50 14R-070005

Extension No.: ---

6. **Description of seats (³):** see information folder n. CTACRS11
7. **Description of the adjustment, displacement and locking systems either of the seat or of its parts (³):** see information folder n. CTACRS11
8. **Description of seat anchorage (³):** see information folder n. CTACRS11
9. **Description of particular type of safety-belt required in the case of an anchorage located in the seat structure or incorporating an energy-dissipating device:** see information folder n. CTACRS11
10. **Vehicle submitted for approval on:** 24.03.2014
11. **Technical Service responsible for conducting approval tests:** Vehicle Technical Service Ltd. - Valletta (MALTA)
12. **Date of report issued by that Service:** 22.04.2014
13. **Number of report issued by that Service:** I0056CTA17AA
14. **Approval granted/refused/extended/withdrawn (²)** granted
15. **Position of approval mark on vehicle:** applied on the door pillar on the passenger side
16. **Place:** Blata I-Bajda
17. **Date:** 2.5.2014
18. **Signature:** For Technical Regulations Division


(Director)
Tristan Camilleri
19. **The following documents, filed with the Type Approval Authority which has granted approval and available on request are annexed to this communication: drawings, diagrams and plans of the belt anchorages, ISOFIX anchorages systems, of the top tether anchorages if any, and of the vehicle structure;**

photographs of the belt anchorages, of the ISOFIX anchorages systems, of the top tether if any, and of the vehicle structure;
drawings, diagrams and plans of the seats, of their anchorage on the vehicle, of the adjustment and displacement systems of the seats and of their parts and of their locking devices ⁽³⁾;
photographs of the seats, of their anchorage, of the adjustment and displacement systems of the seats and of their parts, and of their locking devices ⁽³⁾.



⁽¹⁾ Distinguishing number of the country which has granted/extended/refused/withdrawn approval (see approval provisions in the Regulation).

⁽²⁾ Strike out what does not apply.

⁽³⁾ Only if the anchorage is affixed on the seat or if the seat supports the belt strap.



Report number: I0056CTA17AA

Date of issue	22.04.2014
Page	1 of 1
File	I0056CTA17AA

V.T.S.

Vehicle Technical Service Ltd.
18/2, South Street
Valletta
MALTA

This test report may not be partially reproduced, except with the prior written permission of the issuing Laboratory.

TEST DETAILS

Subject: EC Type-approval
ECE regulation: UN/ECE R14-07
V.T.S. representative: Francesco CONTI

MANUFACTURER'S DETAILS

Manufacturer's name: C.T.A. S.r.l.
Manufacturer's address: Via Groenlandia, 23
POMEZIA(RM) - ITALIA
Type: R-CTAFY6 PG
Category: M1-N1-M2-N2-M3-N3

CONCLUSION

The tests and inspections carried out have shown the compliance of the type described in this report and attached annexes with the directive and with the regulation mentioned above.
All required anchorages withstood the prescribed loads for the required duration.

LIST OF ANNEX

Annex	Description	Page
A	Reasons for extensions	---
B	Test results	2



ANNEX B TEST RESULTS

Date	22.04.2014
Page	1 of 2
File	I0056CTA17AA

V.T.S.

Vehicle Technical Service Ltd.
18/2, South Street
Valletta
MALTA

This test report may not be partially reproduced, except with the prior written permission of the issuing Laboratory.

0.	General information	
0.1.	Make (trade name of the manufacturer):	CTA
0.2.	Type: commercial description(s):	R-CTAFY6 PG
0.3.	Category of vehicle:	M1-N1-M2-N2-M3-N3
0.4.	Name and address of the manufacturer:	C.T.A. S.r.l. Via Groenlandia, 23 POMEZIA (RM) - ITALIA
0.5.	Name and address of authorised representative, if any:	N/A
0.6.	Information folder - number - date of issue	CTACRS11 24.03.2014
1.	Tested vehicle(s) / object(s)	
1.1.	Location and date of test:	
1.1.1.	Location:	N/A
1.1.2.	Date:	N/A
1.2.	Description:	
1.2.1.	vehicle/object:	vehicle
1.2.2.	Tested object(s):	see information folder n. CTACRS11
1.2.3.	Variant/version:	N/A
1.2.4.	Vehicle identification number:	N/A
1.3.	Remark:	all versions of the vehicle type as stated in the information document are covered by the tested vehicle versions and tested objects respectively. See also references mentioned in item 2 For the test results, refer to the test report n. D0005CTA00AB dated 23/01/2009 issued by V.T.S.



ANNEX B TEST RESULTS

Date	22.04.2014
Page	2 of 2
File	I0056CTA17AA

V.T.S.

Vehicle Technical Service Ltd.
18/2, South Street
Valletta
MALTA

This test report may not be partially reproduced, except with the prior written permission of the issuing Laboratory.

2. Test record

2.1. Test results:

the vehicle type has been tested according with the requirements for vehicles of category M1-N1

In accordance with items of the Regulation in object:

1st row seats - items 6.4. of R14.

2.1.1. Measurements of the H-points:

the measurements of the H-points and the actual seat back angles showed a sufficient conformity with the R-points and the design seat-back angles within the permissible tolerances.

See information folder n. CTACRS11.

2.1.2. Number and sort of belt anchorages:

the belt anchorages comply with the requirements.

In accordance with item 5.5. of R14.

2.1.3. Location of the effective belt anchorages:

the measurements of the effective anchorages showed a sufficient conformity with the design locations.

see information folder no. CTACRS01

2.1.4. Strength tests:

all required anchorages withstood the prescribed loads for the required duration.

3. List of appendices

N.A.

4. Statement of conformity

the above mentioned information folder and the vehicle type described in that comply with the requirements mentioned on page 1.

N.B.

The results recorded in this report concern exclusively this tested sample.

Date: 22.04.2014

Signature

VTS Technical Officer
Francesco CONTI

VTS Type Approval Manager
(Giovanni SANTECCECA)

C.T.A. S.r.l.

DOCUMENTAZIONE INFORMATIVA
INDICE DEL CONTENUTO

Scheda informativa numero CTACRS11 del 24.03.2014

0.-	DATI GENERALI	pag. 1/4
1.-	CARATTERISTICHE COSTRUTTIVE GENERALI DEL VEICOLO	pag. 1/4
9.-	CARROZZERIA	pag. 2/4
	IDENTIFICAZIONI DEL TIPO/VARIANTE/VERSIONE DEL COSTRUTTORE FASE 2	

ALLEGATI ALLA SCHEDA INFORMATIVA

ALLEGATO -A-	DISEGNI	pag. 1÷12/12
ALLEGATO -B-	FOTOGRAFIE	pag. 1÷4/4

Regolamento n. 14 (Regolamento 14, supplemento 3 alla serie 07 di modifiche) della Commissione economica per l'Europa delle Nazioni Unite (UN/ECE). Disposizioni uniformi relative all'omologazione dei veicoli per quanto riguarda gli ancoraggi delle cinture di sicurezza, i sistemi di ancoraggio ISOFIX e gli ancoraggi di fissaggio superiore ISOFIX.

ALLEGATO I - Appendice 3

SCHEDA INFORMATIVA

Numero/del

CTACRS11

24.03.2014

DENOMINAZIONE COMMERCIALE COSTRUTTORE

CTA

VEICOLO A MOTORE

AUTOVEICOLO

DENOMINAZIONE DEL TIPO

R-CTAFY6 PG

CTA POMEZIA (RM) - ITALIA	Regolamento UN/ECE 14, supplemento 3 alla serie 07 di modifiche		PAGINA	1/4
	VEICOLO A MOTORE R-CTAFY6 PG		DATA	24.03.2014
	scheda inf.N. CTACRS11	file: 093rcxs0.xls		
0. DATI GENERALI GENERAL				
0.1.	Marca (denominazione commerciale del costruttore): Make (trade name of manufacturer): CTA			
0.2.	Tipo e designazione(i) commerciale(i) generale(i): Type and general commercial description(s): R-CTAFY6 PG			
0.3.	Mezzi di identificazione del tipo, se marcati sul veicolo: Means of identification of type, if marked on the vehicle: ZFA250000*????????			
0.3.1.	Posizione della marcatura: Location of that marking: punzonata sul passaruota destro, nel vano abitacolo cabina.			
0.4.	Categoria del veicolo: M1-N1-M2-N2-M3-N3 Category of vehicle:			
0.5.	Nome e indirizzo del costruttore/fabbricante: Name and address of manufacturer: C.T.A. S.r.l. Via Groenlandia, 23 POMEZIA (RM) - ITALIA			
0.8.	Indirizzo dello o degli stabilimenti di montaggio Address(es) of assembly plant(s): C.T.A. S.r.l. Via Groenlandia, 23 POMEZIA (RM) - ITALIA			
1. CARATTERISTICHE COSTRUTTIVE GENERALI DEL VEICOLO GENERAL CONSTRUCTION CHARACTERISTICS OF THE VEHICLE				
1.1.	Fotografie e/o disegni di un veicolo rappresentativo: Photographs and/or drawings of a representative vehicle: Vedi disegni, Allegato -A-			
9. CARROZZERIA BODYWORK				
9.10.3.	Sedili: Seats:			

CTA POMEZIA (RM) - ITALIA	Regolamento UN/ECE 14, supplemento 3 alla serie 07 di modifiche		PAGINA	2/4
	VEICOLO A MOTORE R-CTAFY6 PG		DATA	24.03.2014
	scheda inf.N. CTACRS11	file:	093rcxs0.xls	
9.10.3.1.	Numero: Number:	2		
9.10.3.2.	Posizione e disposizione: Position and arrangement:	anteriori: 2 sedili frontemarcia girevoli (sinistro e destro) posteriori: N.R.		
9.10.3.2.1	Posti a sedere da utilizzare soltanto quando il veicolo è fermo: Seating positions designated for use only when the vehicle is stationary:	N.R.		
9.10.3.3.	Massa: Mass:	<u>senza pediera</u> anteriori: 33,5 kg (25,8 kg sedile, 7,7 kg piastra girevole) 53 kg (45,3 kg sedile, 7,7 kg piastra girevole) posteriori: N.R. <u>con pediera</u> anteriori: 33,5 kg (25,8 kg sedile, 7,7 kg piastra girevole, 5÷10 kg pediera) 53 kg (35,3 kg sedile, 7,7 kg piastra girevole, 5÷10 kg pediera) posteriori: N.R.		
9.10.3.4.	Caratteristiche: descrizioni e disegni di: Characteristics: descriptions and drawings of:			
9.10.3.4.1	Sedili e loro ancoraggi: The seats and their anchorages:	anteriori: gli ancoraggi sono ricavati sulla parete del veicolo e sulla parte interna del sedile posteriori: N.R. vedi disegni, Allegato -A-		
9.10.3.4.2	Sistema di regolazione: The adjustment system:	anteriori: regolabili e girevoli posteriori: N.R. vedi disegni, Allegato -A-		

CTA POMEZIA (RM) - ITALIA	Regolamento UN/ECE 14, supplemento 3 alla serie 07 di modifiche		PAGINA	3/4
	VEICOLO A MOTORE R-CTAFY6 PG		DATA	24.03.2014
	scheda inf.N. CTACRS11	file:	093rcxs0.xls	
9.10.3.4.3	Sistemi di spostamento e di blocco: The displacement and locking systems:		anteriori: regolabili e girevoli	
			posteriori: N.R.	
			vedi disegni, Allegato -A-	
9.10.3.4.4	Ancoraggi delle cinture di sicurezza (se incorporati nella struttura del sedile): The seat belt anchorages (if incorporated in the seat structure):		Tutti gli ancoraggi consistono in un foro munito di boccia filettata per bullone 7/16".	
			anteriori: sono previsti ancoraggi a tre punti per i due i sedili frontemarcia, ricavati sulla parete del veicolo e uno sulla sulla parte interna del sedili posteriori	
			posteriori: N.R.	
			vedi disegni, Allegato -A-	
9.10.3.6.	Angolo previsto di inclinazione dello schienale: Design torso angle of:			
9.10.3.6.1	Sedile del conducente Driver's seat:		18°	
9.10.3.6.2	Tutti gli altri posti a sedere: All other seating positions:		anteriori: 18°	
			posteriori: N.R.	
9.10.3.7.	Corsa di regolazione del sedile: Range of seat adjustment:			
9.10.3.7.1	Sedile del conducente Driver's seat:		200 mm	
9.10.3.7.2	Tutti gli altri posti a sedere: All other seating positions:		anteriori: 200 mm	
			posteriori: N.R.	
9.13.	Ancoraggi delle cinture di sicurezza: Safety belt anchorages			
9.13.1.	Fotografie e/o disegni della carrozzeria con la posizione e le dimensioni degli ancoraggi reali ed effettivi, le indicazioni dei punti R: Photographs and/or drawings of the bodywork showing the position and dimensions of the actual and the effective anchorages including the R-points:		vedi disegni, Allegato -A-	
9.13.2.	Disegni degli ancoraggi delle cinture di sicurezza e parti della struttura del veicolo su cui sono fissati (con indicazione dei materiali impiegati): Drawings of the belt anchorages and parts of the vehicle structure where they are attached (with the material indication):		vedi disegni, Allegato -A-	

CTA POMEZIA (RM) - ITALIA	Regolamento UN/ECE 14, supplemento 3 alla serie 07 di modifiche		PAGINA	4/4																																																																																																	
	VEICOLO A MOTORE R-CTAFY6 PG		DATA	24.03.2014																																																																																																	
	scheda inf.N. CTACRS11	file:	093rcxs0.xls																																																																																																		
9.13.3.	<p>Indicazione dei tipi di cinture di sicurezza di cui è autorizzata l'installazione agli ancoraggi del veicolo: Designation of the types of safety belts authorized for fitting to the anchorages with which the vehicle is equipped:</p> <table border="1"> <thead> <tr> <th rowspan="3"></th> <th rowspan="3"></th> <th rowspan="3"></th> <th colspan="2">Ubicazione dell'ancoraggio</th> </tr> <tr> <th>Struttura del veicolo</th> <th>Struttura del sedile</th> </tr> </thead> <tbody> <tr> <td>Anteriore</td> <td>Sedile di destra</td> <td>Ancoraggio inferiore esterno</td> <td>Ar</td> <td>---</td> </tr> <tr> <td></td> <td></td> <td>Ancoraggio inferiore interno</td> <td>---</td> <td>Ar</td> </tr> <tr> <td></td> <td></td> <td>Ancoraggio(i) superiore(i)</td> <td>Ar</td> <td>---</td> </tr> <tr> <td></td> <td>Sedile centrale</td> <td>Ancoraggio inferiore esterno</td> <td>---</td> <td>---</td> </tr> <tr> <td></td> <td></td> <td>Ancoraggio inferiore interno</td> <td>---</td> <td>---</td> </tr> <tr> <td></td> <td></td> <td>Ancoraggio(i) superiore(i)</td> <td>---</td> <td>---</td> </tr> <tr> <td></td> <td>Sedile di sinistra</td> <td>Ancoraggio inferiore esterno</td> <td>Ar</td> <td>---</td> </tr> <tr> <td></td> <td></td> <td>Ancoraggio inferiore interno</td> <td>---</td> <td>Ar</td> </tr> <tr> <td></td> <td></td> <td>Ancoraggio(i) superiore(i)</td> <td>Ar</td> <td>---</td> </tr> <tr> <td></td> <td>Posteriore</td> <td>Sedile di destra</td> <td>Ancoraggio inferiore esterno</td> <td>---</td> </tr> <tr> <td></td> <td></td> <td></td> <td>Ancoraggio inferiore interno</td> <td>---</td> </tr> <tr> <td></td> <td></td> <td></td> <td>Ancoraggio(i) superiore(i)</td> <td>---</td> </tr> <tr> <td></td> <td></td> <td>Sedile centrale</td> <td>Ancoraggio inferiore esterno</td> <td>---</td> </tr> <tr> <td></td> <td></td> <td></td> <td>Ancoraggio inferiore interno</td> <td>---</td> </tr> <tr> <td></td> <td></td> <td></td> <td>Ancoraggio(i) superiore(i)</td> <td>---</td> </tr> <tr> <td></td> <td></td> <td>Sedile di sinistra</td> <td>Ancoraggio inferiore esterno</td> <td>---</td> </tr> <tr> <td></td> <td></td> <td></td> <td>Ancoraggio inferiore interno</td> <td>---</td> </tr> <tr> <td></td> <td></td> <td></td> <td>Ancoraggio(i) superiore(i)</td> <td>---</td> </tr> </tbody> </table>							Ubicazione dell'ancoraggio		Struttura del veicolo	Struttura del sedile	Anteriore	Sedile di destra	Ancoraggio inferiore esterno	Ar	---			Ancoraggio inferiore interno	---	Ar			Ancoraggio(i) superiore(i)	Ar	---		Sedile centrale	Ancoraggio inferiore esterno	---	---			Ancoraggio inferiore interno	---	---			Ancoraggio(i) superiore(i)	---	---		Sedile di sinistra	Ancoraggio inferiore esterno	Ar	---			Ancoraggio inferiore interno	---	Ar			Ancoraggio(i) superiore(i)	Ar	---		Posteriore	Sedile di destra	Ancoraggio inferiore esterno	---				Ancoraggio inferiore interno	---				Ancoraggio(i) superiore(i)	---			Sedile centrale	Ancoraggio inferiore esterno	---				Ancoraggio inferiore interno	---				Ancoraggio(i) superiore(i)	---			Sedile di sinistra	Ancoraggio inferiore esterno	---				Ancoraggio inferiore interno	---				Ancoraggio(i) superiore(i)	---
			Ubicazione dell'ancoraggio																																																																																																		
			Struttura del veicolo	Struttura del sedile																																																																																																	
			Anteriore	Sedile di destra	Ancoraggio inferiore esterno	Ar	---																																																																																														
		Ancoraggio inferiore interno	---	Ar																																																																																																	
		Ancoraggio(i) superiore(i)	Ar	---																																																																																																	
	Sedile centrale	Ancoraggio inferiore esterno	---	---																																																																																																	
		Ancoraggio inferiore interno	---	---																																																																																																	
		Ancoraggio(i) superiore(i)	---	---																																																																																																	
	Sedile di sinistra	Ancoraggio inferiore esterno	Ar	---																																																																																																	
		Ancoraggio inferiore interno	---	Ar																																																																																																	
		Ancoraggio(i) superiore(i)	Ar	---																																																																																																	
	Posteriore	Sedile di destra	Ancoraggio inferiore esterno	---																																																																																																	
			Ancoraggio inferiore interno	---																																																																																																	
			Ancoraggio(i) superiore(i)	---																																																																																																	
		Sedile centrale	Ancoraggio inferiore esterno	---																																																																																																	
			Ancoraggio inferiore interno	---																																																																																																	
			Ancoraggio(i) superiore(i)	---																																																																																																	
		Sedile di sinistra	Ancoraggio inferiore esterno	---																																																																																																	
			Ancoraggio inferiore interno	---																																																																																																	
			Ancoraggio(i) superiore(i)	---																																																																																																	
9.13.4.	<p>Descrizione di un tipo particolare di cintura di sicurezza in cui un ancoraggio è fissato allo schienale del sedile o comprende un dispositivo per la dissipazione di energia: Description of a particular type of safety belt where an anchorage is located in the seat backrest or incorporates an energy dissipating device:</p>																																																																																																				
NOTE:	<p>SISTEMI DI ANCORAGGIO DESTINATI AL TIPO FIAT 250 DUCATO (DENOMINAZIONE COMMERCIALE X250 - X290): Valido per i veicoli di categoria M1-N1-M2-N2-M3-N3 Le modifiche strutturali apportate al veicolo originale, interessano esclusivamente la cabina di guida sulla quale si interviene asportando parte della parete posteriore e del tetto. Tale taglio non compromette le caratteristiche strutturali della cabina ma consente di lasciare libero il passaggio fra cabina di guida e vano abitativo posteriore. Rispetto al veicolo originale, i due sistemi variano per l'installazione di una piastra girevole fra sedile e cestello. Entrambi i sistemi sono dotati di piastra girevole marca CTA che può essere di due diversi tipi e che fa variare la posizione del punto "H". in altezza di +43 mm o +58</p>																																																																																																				

Tipo								
1	2	3	4	5	6	7	8	9
R	-	C	T	A	F	Y	6	P G

Variante			
7	8	9	10
?	?	?	?

Versione	
11	12
?	?

DA 1 A 6	IDENTIFICAZIONE DEL TIPO (Type identification)	Item 1	Identificazione del tipo di omologazione - R Secondo Regolamento	
		Item 2	Separatore --	
		Item 3	} Identificazione CTA S.r.l.	
		Item 4		C
		Item 5		T A
		Item 6	Identificazione costruttore fase 1 - F Fiat Auto S.p.A.	
		Item 7	Paese che rilascia l'omologazione - Y MALTA	
		Item 8	- 6 DUCATO X 250 (2014)	
		Item 9	Oggetto dell'omologazione P } G } Piastra girevole	
DA 0 A 0	VARIANTE (Variant)	Item 7	Identificazione del passo - ?	
		Item 8	Identificazione carrozzeria - ?	
		Item 9	Identificazione motore - ?	
		Item 10	Identificazione massa totale - ?	
DA 11 A 12	VERSIONE (Version)	Item 11-12	Caratteri alfanumerici progressivi	

ALLEGATO -A-

(DISEGNI)

SCHEDA INFORMATIVA DI RIFERIMENTO

Numero/del **CTACRS11** **24.03.2014**

DENOMINAZIONE COMMERCIALE COSTRUTTORE

CTA

VEICOLO A MOTORE

AUTOVEICOLO

DENOMINAZIONE DEL TIPO

R-CTAFY6 PG

INDICE DEL CONTENUTO ALLEGATO -A-

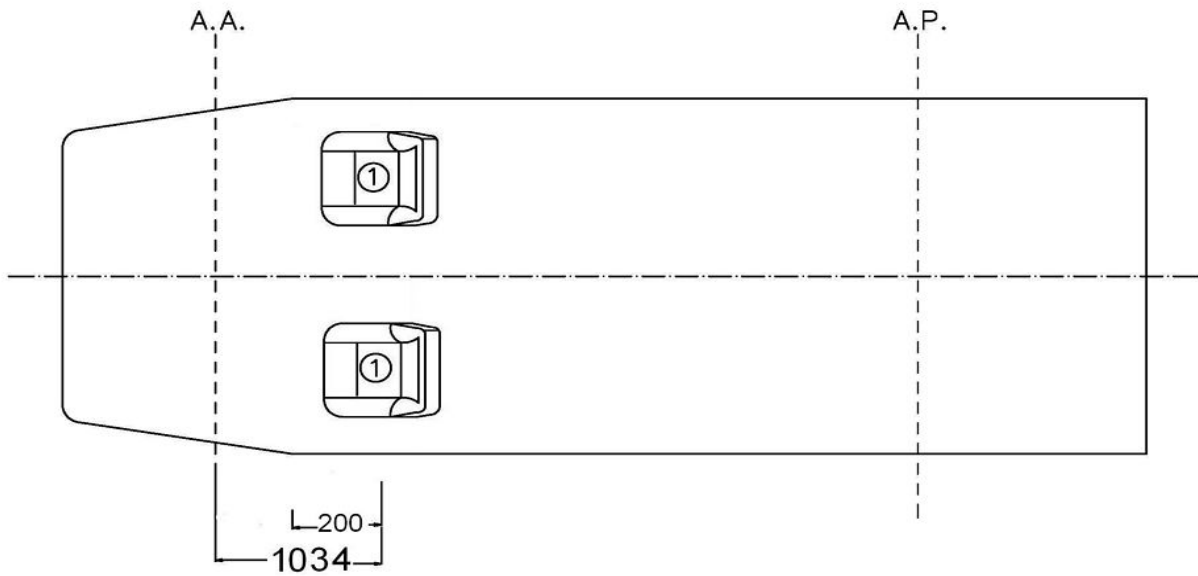
ARGOMENTO	Riferimento	Pagina
Vista in pianta del veicolo	CTACRD11	1/3
Zone autorizzate sedile anteriore	CTACRD12	2/3
	CTACRD13	3/3
Piastra girevole	00215/00230	---
	00164	---
	00131	---
Pediera	00960	---
Istruzioni di montaggio	CTA	---

CTA POMEZIA (RM) - ITALIA	Regolamento UN/ECE 14, supplemento 3 alla serie 07 di modifiche		ALLEGATO	A
	VEICOLO A MOTORE R-CTAFY6 PG		PAGINA	1/3
	scheda inf.N.	CTACRS11	file:	093rcxs0.xls

Vista in pianta del veicolo

DISEGNO Numero

CTACRD11



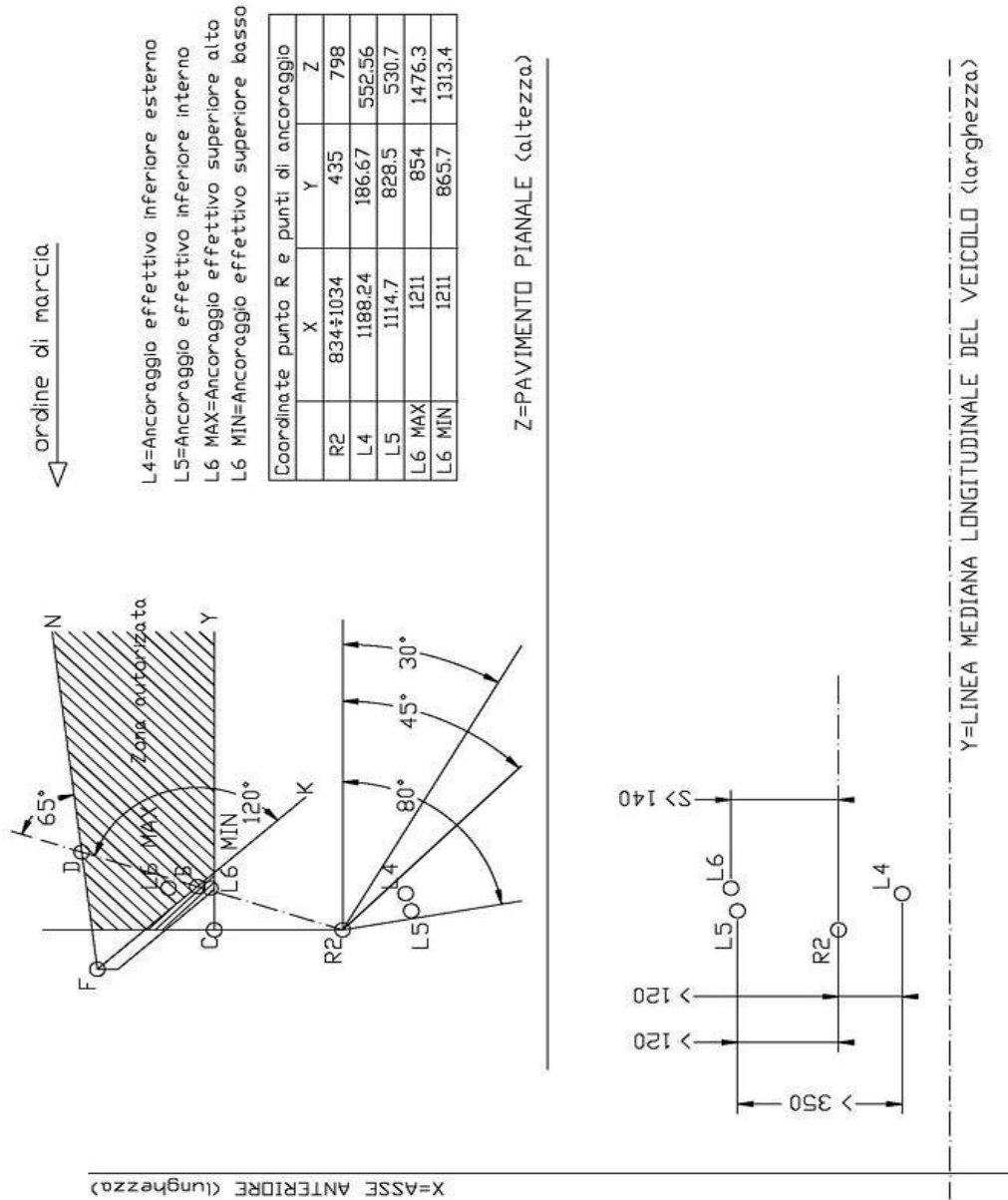
1- Sedili anteriori originali con piastra girevole marca CTA (corsa in avanti di 200 mm).

CTA POMEZIA (RM) - ITALIA	Regolamento UN/ECE 14, supplemento 3 alla serie 07 di modifiche		ALLEGATO	A
	VEICOLO A MOTORE R-CTAFY6 PG		PAGINA	2/3
	scheda inf.N.	CTACRS11	file:	093rcxs0.xls

Zone autorizzate sedile anteriore

DISEGNO Numero

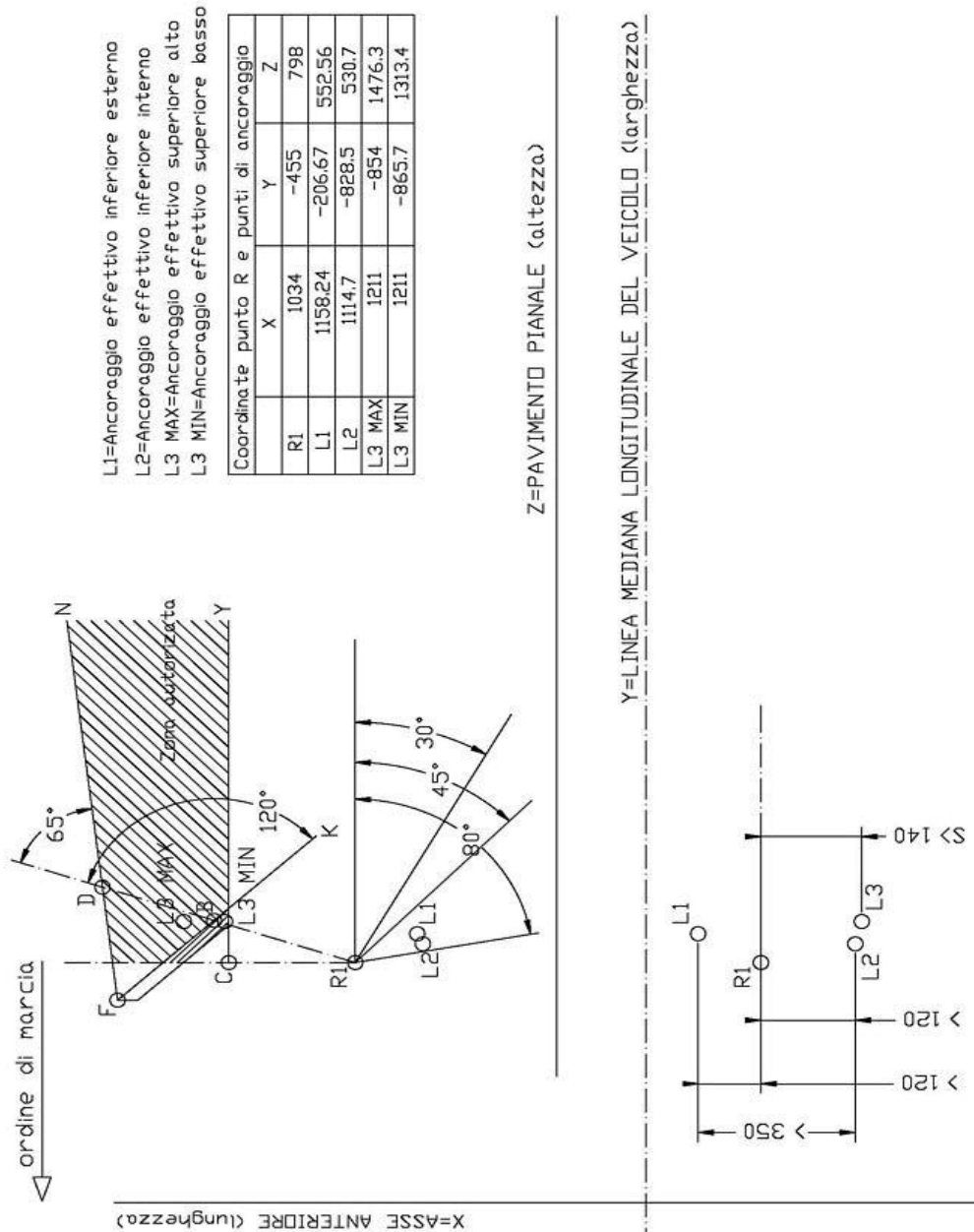
CTACRD12

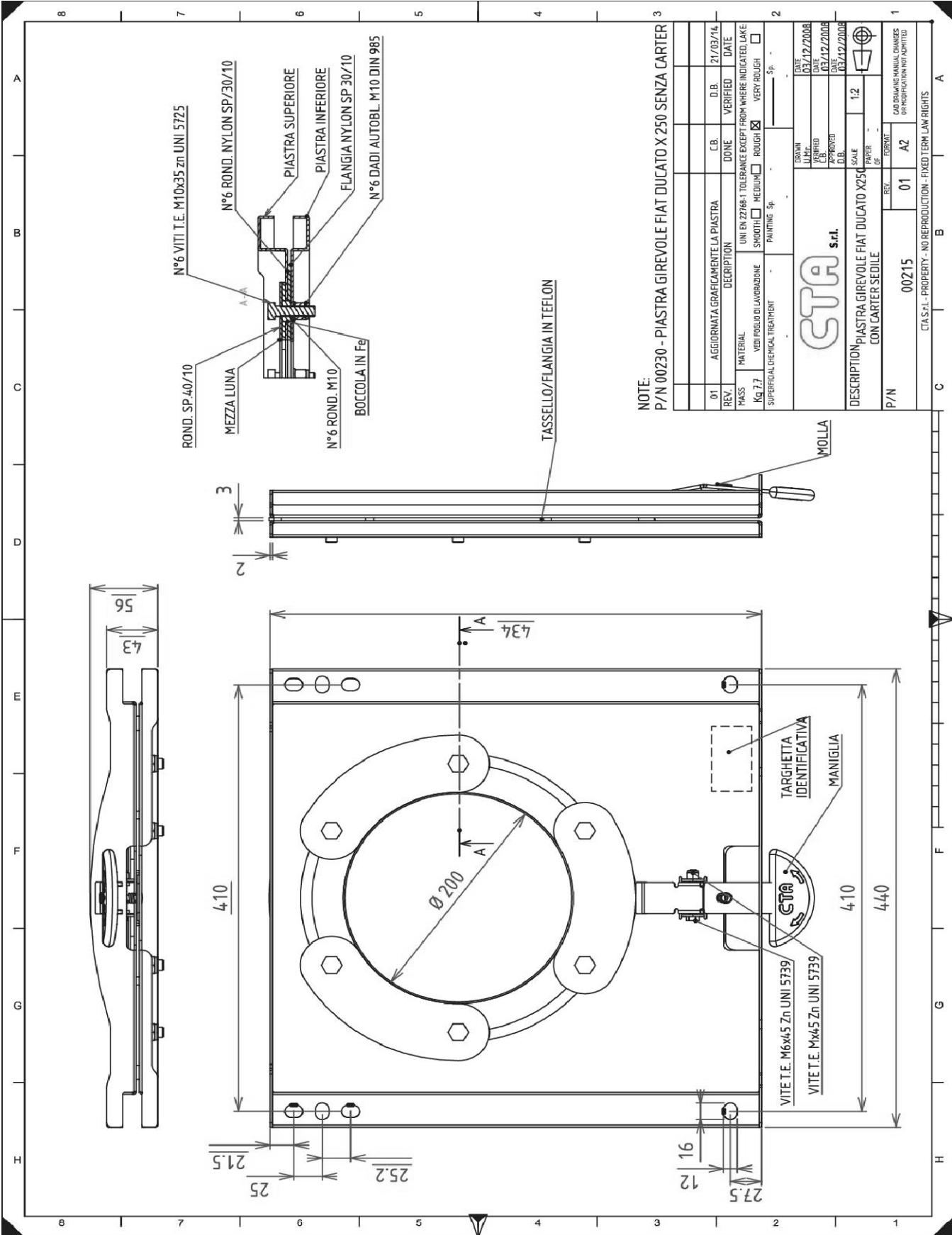


CTA POMEZIA (RM) - ITALIA	Regolamento UN/ECE 14, supplemento 3 alla serie 07 di modifiche		ALLEGATO	A
	VEICOLO A MOTORE R-CTAFY6 PG		PAGINA	3/3
	scheda inf.N.	CTACRS11	file:	093rcxs0.xls

DISEGNO Numero

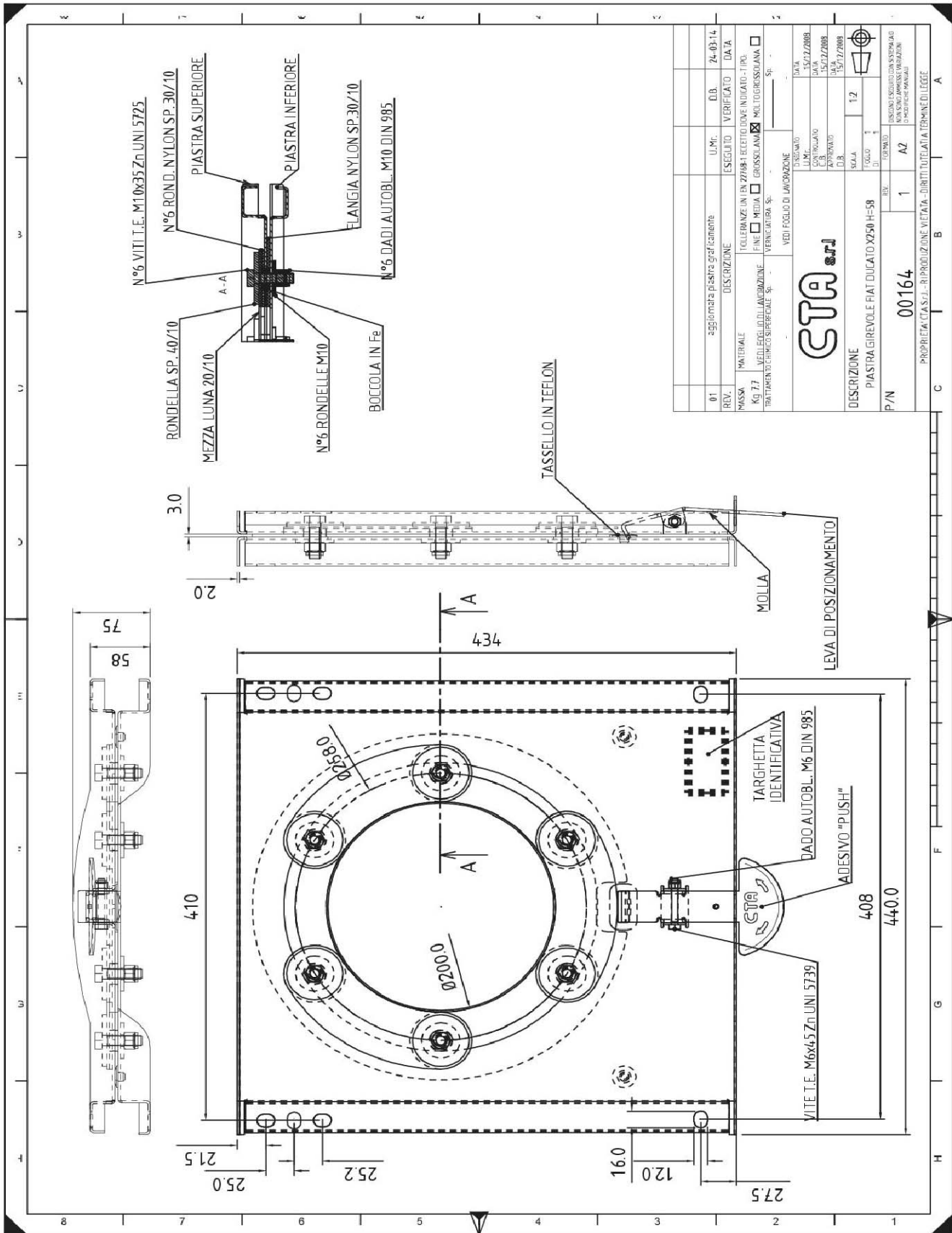
CTACRD13





NOTE:
P/N 00230 - PIASTRA GIREVOLE FIAT DUCATO X 250 SENZA CARTER

01	AGGIORNATA GRAFICAMENTE LA PIASTRA	C.B.	D.B.	21/03/14
REV.	DESCRIPTION	DONE	VERIFIED	DATE
MATERIAL	UNI EN 22768-1 TOLERANCE EXCEPT FROM WHERE INDICATED. LAKE	SMOOTH	<input type="checkbox"/> MEDIUM	<input checked="" type="checkbox"/> VERY ROUGH
PHASS	Kg 7.7			
SUPERFICIAL CHEMICAL TREATMENT	PAINTING Sp - - Sp - -			
		DRAWN DATE 12/2/2008	CHECKED DATE 10/3/12/2008	APPROVED DATE 03/12/2008
DESCRIPTION PIASTRA GIREVOLE FIAT DUCATO X250		SCALE	1:2	
P/N	REV. 01	A2	FORMAT PAPER CAN BE OBTAINED FROM THE MANUFACTURER OF THE ORIGINAL DRAWING	
CTA S.r.l. - PROPERTY - NO REPRODUCTION - FIXED TERM LAW RIGHTS				



REV.	DESCRIZIONE	U.M.	D.B.	ESEGUITO	VERIFICATO	DATA
01	agglomerata piastra graficamente					24-03-14

MATERIALE	TOLLERANZE IN EN 22198-1 ECCEZIONE DOVE INDICATO - TIPO	FINI	MEZZA	GROSSOLANI	MOLTO GROSSOLANI
Kg 7.7	<input type="checkbox"/> VEDI FOGLIO DI LAVORAZIONE	<input type="checkbox"/> FINE	<input type="checkbox"/> MEZZA	<input checked="" type="checkbox"/> GROSSOLANI	<input type="checkbox"/> MOLTO GROSSOLANI

TREATAMENTO CHIMICO SUPERFICIALE: SP. - SP. - SP.

VEDI FOGLIO DI LAVORAZIONE

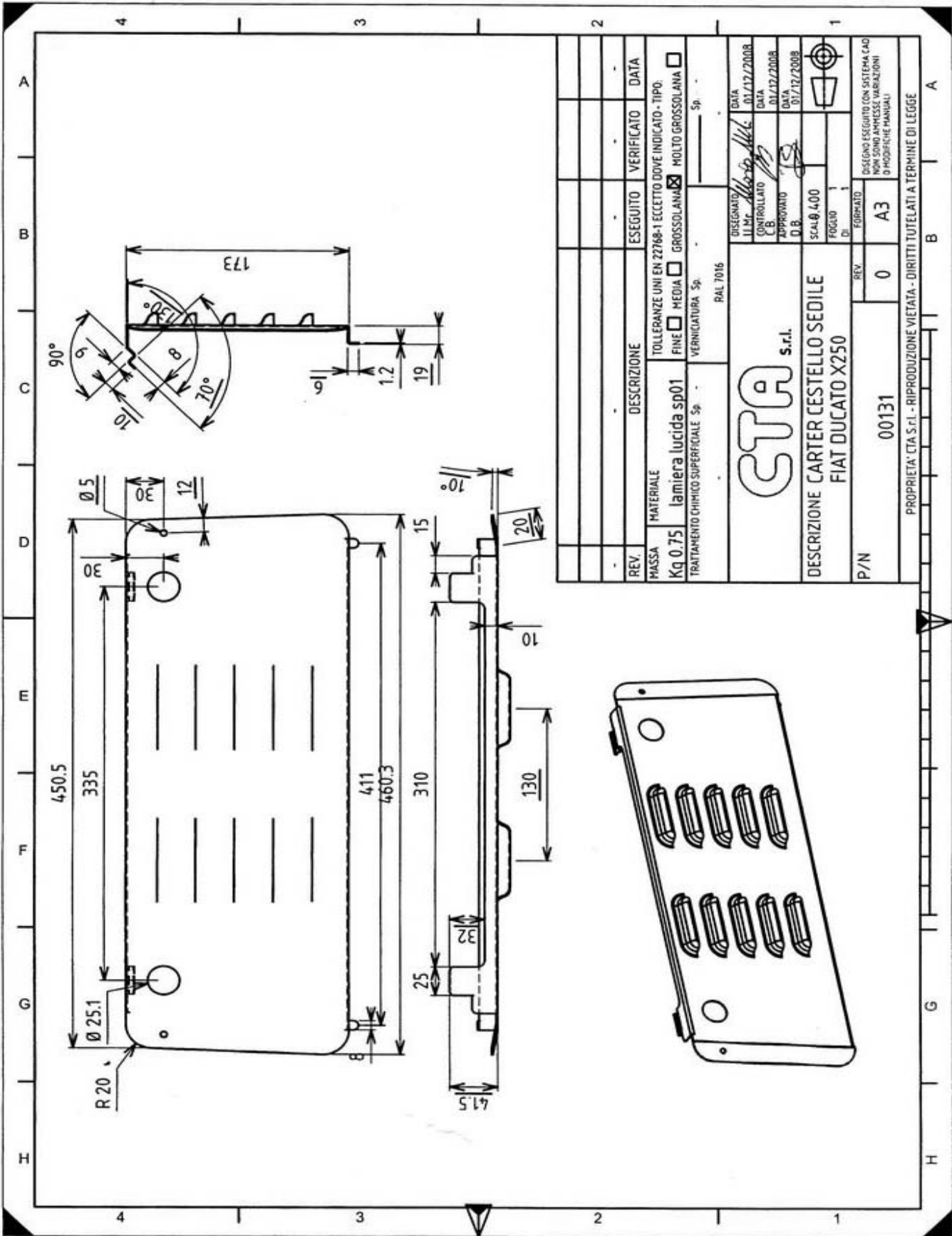
CTA srl

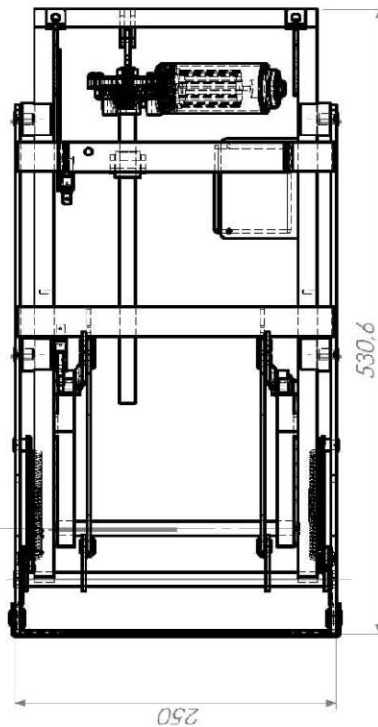
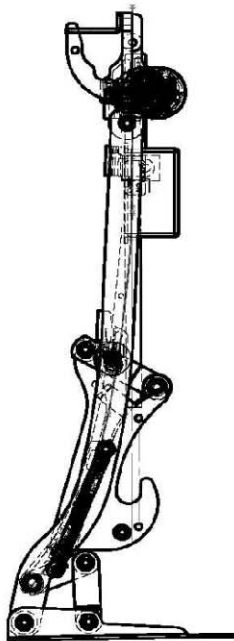
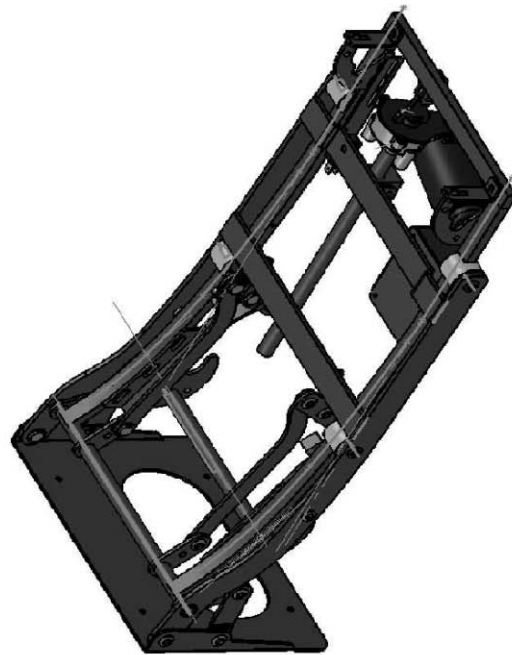
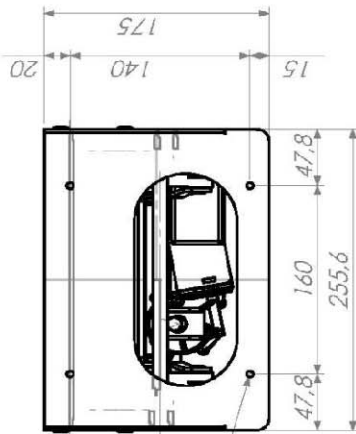
DESCRIZIONE
PIASTRA GIREVOLE FIAT DULCATO X250 H=58

P/N
00164

REVISIONI
1 AZ

PROPRIETA' CTA S.R.L. - RIPRODUZIONE VIETATA - DIRITTI TUTELATI A TERMINI DI LEGGE





FOGLIO 1-1

Rev.	Data	Descrizione	Prep.	Approv.
	FOGLIO 1-1	TOLLERANZE GENERALI ISO 2768-m		capa non riprovabile
CTA MATERIE PLASTICHE		Cliente	Descrizione	
Cod. Art.		Pediera Rol.	per sedile 25 e 30	
N. Dis.		Data Dis.	Prep.	
00960		24/03/2014		
mm.		Spessori	Approv.	
0-6	0-30	30-120	120-400	400-1000
1000-2000	2000-4000			
Toll.	+0.1-0.1	+0.2-0.2	+0.3-0.3	+0.5-0.5
	+0.5-0.8	+1.2-1.2	+2-2	+4-4
Toll. Angoli	0-10	10-50	50-120	120-400
	+/- 0.5	+/- 0.5	+/- 0.5	+/- 0.5

PRODUZIONE

MAT.	Metallale <non specificato>
PR.	
1° ATT.	
2° ATT.	
3° ATT.	
M/ASSA	PESO: GRAMMI
SPESS.	SPESS:
TRATT. SUP.	

NOTE

ISTRUZIONI DI MONTAGGIO

1° Fase :SMONTARE IL SEDILE

2° FASE :RUOTARE LA PIASTRA DI CIRCA 30° PER LIBERARE IL PASSAGGIO DELLE VITI

3° FASE :FISSARE LA PARTE INFERIORE DELLA PIASTRA GIREVOLE AL CESTELLO UTILIZZANDO LE 4 VITI ORIGINALI + N°4 RONDELLE M8 IN DOTAZIONE

4° FASE :FISSARE IL SEDILE SULLA PARTE SUPERIORE DELLA PIASTRA GIREVOLE UTILIZZANDO:

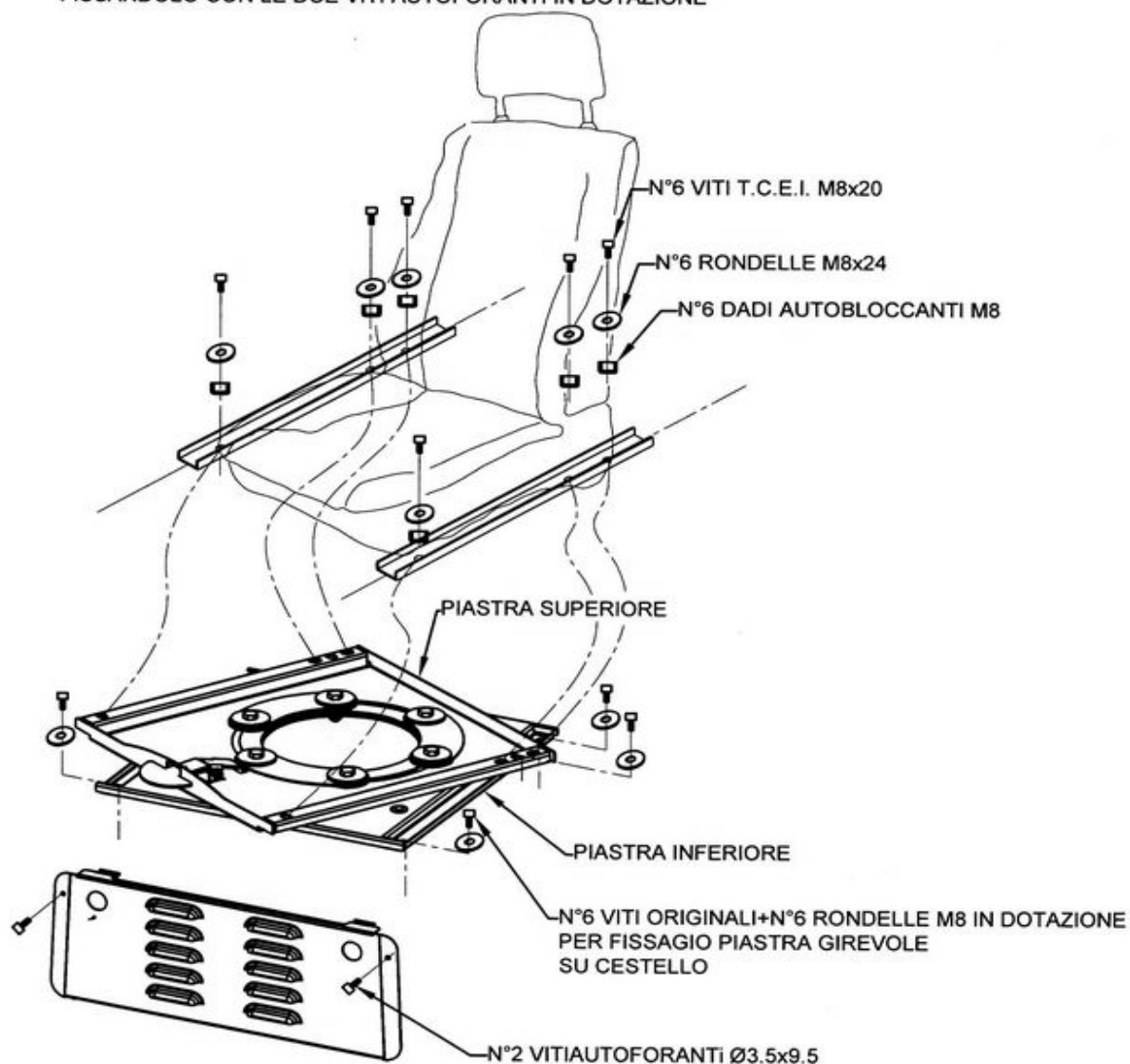
-Nr° 6 VITI T.C.E.I. M8x20 IN DOTAZIONE

-Nr° 6 RONDELLE M8x24 IN DOTAZIONE

-Nr° 6 DADI AUTOBLOCCANTI M8 IN DOTAZIONE

SOLO PER CODICE 00215

5° FASE :SOSTITUIRE IL CARTER SOTTO SEDILE ORIGINALE CON QUELLO IN DOTAZIONE, FISSANDOLO CON LE DUE VITI AUTOFORANTI IN DOTAZIONE



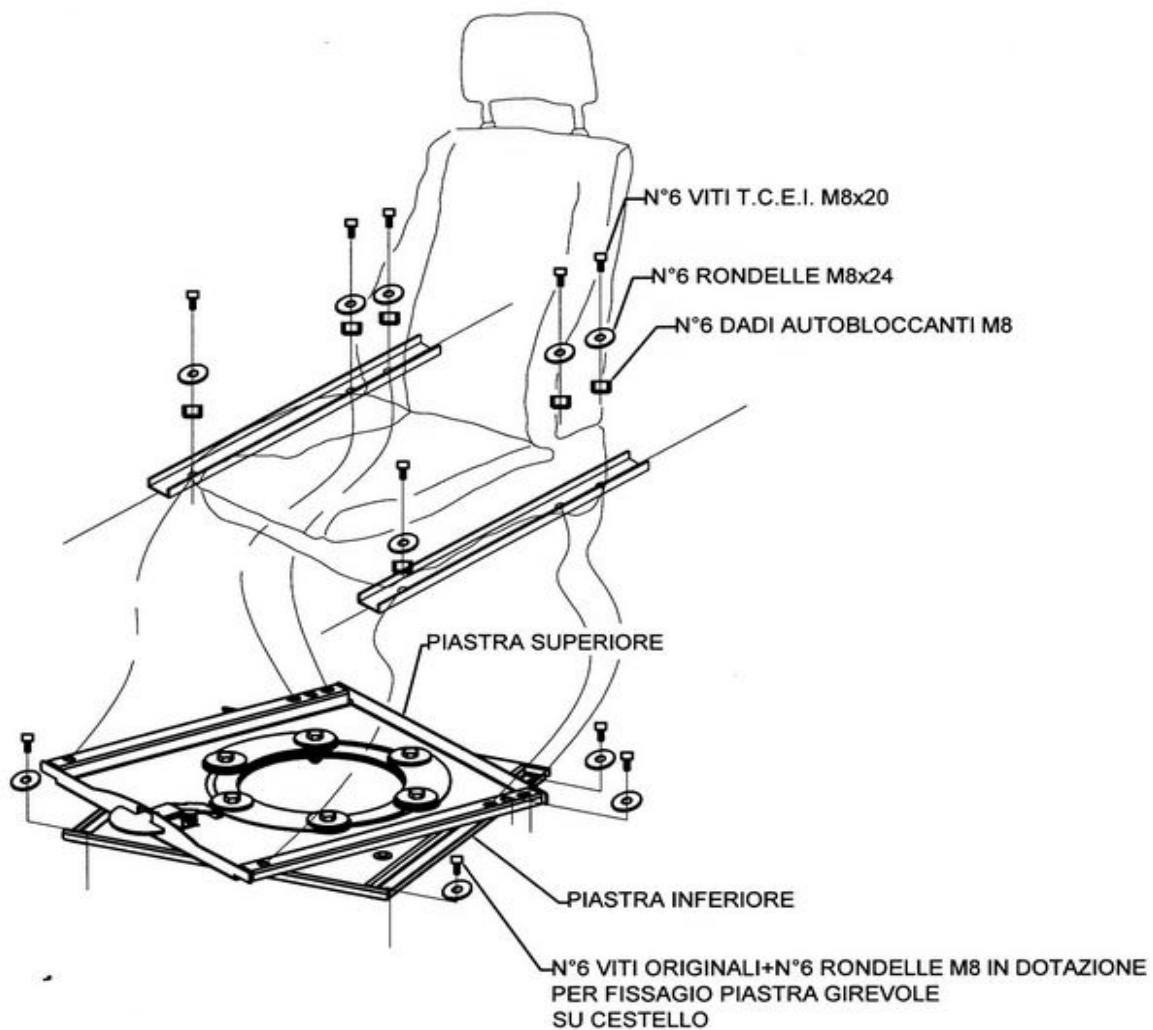
ISTRUZIONI DI MONTAGGIO

1° Fase :SMONTARE IL SEDILE

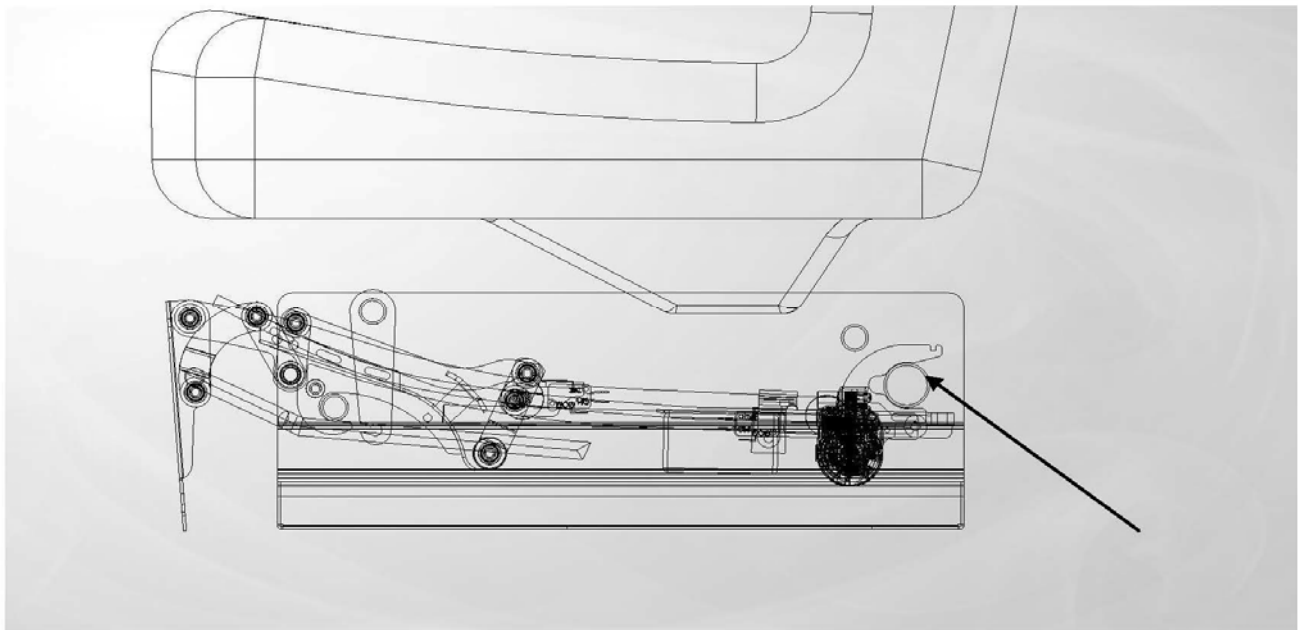
2° FASE :RUOTARE LA PIASTRA DI CIRCA 30° PER LIBERARE IL PASSAGGIO DELLE VITI

3° FASE :FISSARE LA PARTE INFERIORE DELLA PIASTRA GIREVOLE AL CESTELLO UTILIZZANDO LE 4 VITI ORIGINALI + N°4 RONDELLE M8 IN DOTAZIONE

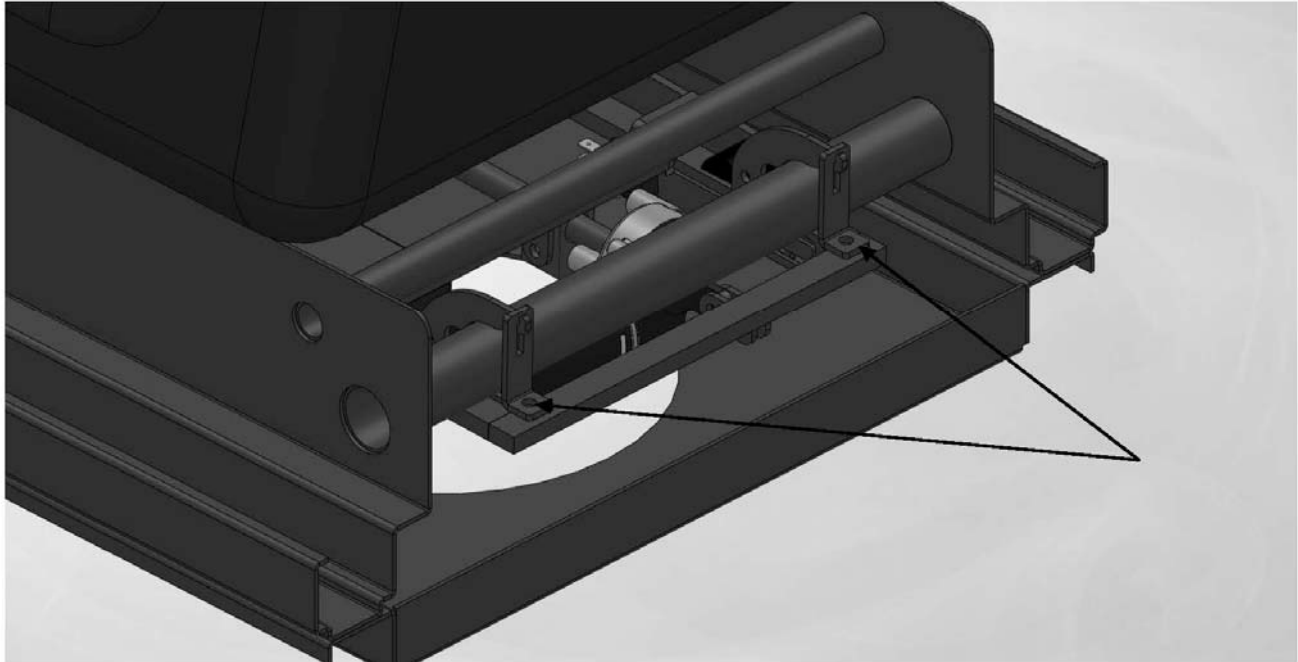
4° FASE :FISSARE IL SEDILE SULLA PARTE SUPERIORE DELLA PIASTRA GIREVOLE UTILIZZANDO:
 -Nr° 6 VITI T.C.E.I. M8x20 IN DOTAZIONE
 -Nr° 6 RONDELLE M8x24 IN DOTAZIONE
 -Nr° 6 DADI AUTOBLOCCANTI M8 IN DOTAZIONE



ISTRUZIONI DI MONTAGGIO MECCANISMO PIEDIERA

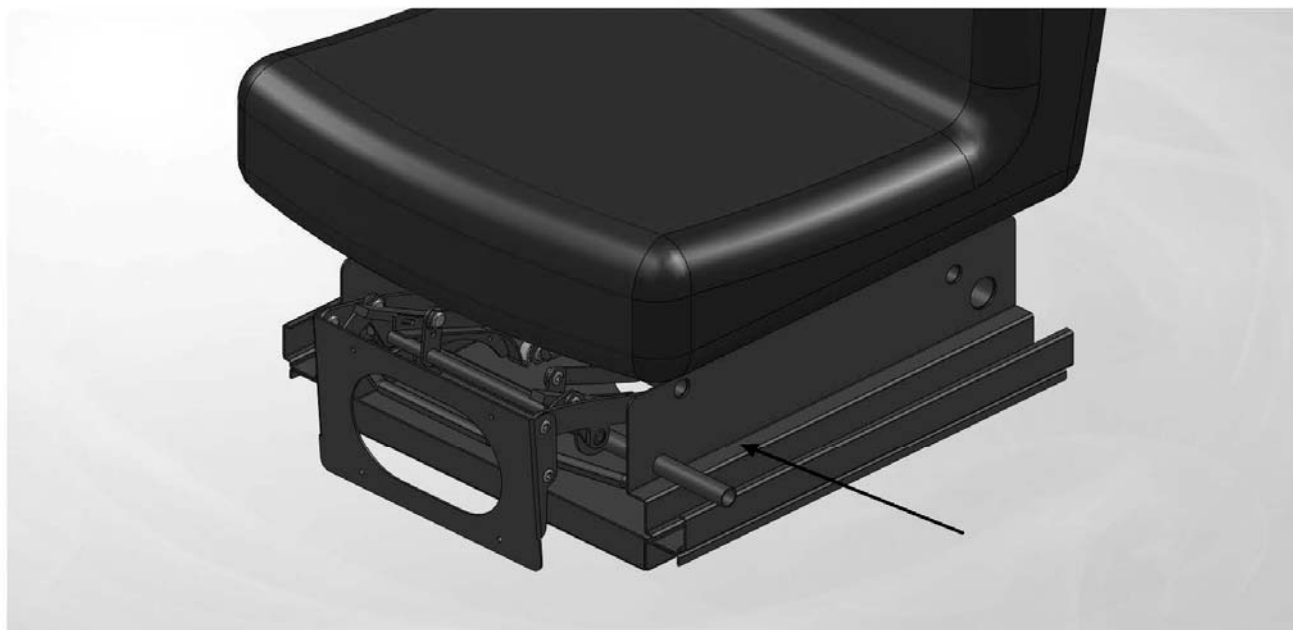


FASE 1 : Tenendo il sedile sollevato, far scorrere, inserendolo dalla parte frontale, il meccanismo, fino al raggiungimento dell'apposita sede indicata.



FASE 2 : Bloccare il meccanismo alla sede, inserendo le staffe di bloccaggio indicate e avvitare.

ISTRUZIONI DI MONTAGGIO MECCANISMO PEDIERA



FASE 3 : Inserire il sostegno anteriore indicato, dalla fiancata del sedile.

DISEGNO ETICHETTA PIASTRE GIREVOLI

CTA s.r.l. www.ctapomezia.it
Pomezia - Roma - tel. +39 06 91601096

P/N / Kg

P/N / Kg

Anno di costruzione

Lotto di produzione

DIMENSIONI IN SCALA

Azzurro elettrico

Tutte le scritte e cornici nere.

Materiale PVC argento satinato.

03	INSERITE INDICAZIONI MECCANISMO PIANO/CHIO	U.M.:	C.B.	MATERIALE	-
02	INSERITO LOTTO DI PRODUZIONE	U.M.:	C.B.	kg Insegni	-
01	VAR. ANNO ERA 2009	U.M.:	C.B.	TRATTAMENTO	-
REV.	REGOLAZIONE	ESIGENZA	VERIFICATO	ESIBITO	U.Mr.
CTA s.r.l.				CONTROLLATO	C.B.
				APPROVATO	D.B.
				DATA	12/01/2009
ADESIVO IDENTIFICATIVO PIASTRA GIREVOLE				FORMATO	A3
				SCALA	-
				CODICE	00164-P12
<small>PROPRIETA' CTA S.r.l. - RIPRODUZIONE VIETATA - DIRITTO TUTELATAI TERMINI DI LEGGE</small>					

Dimensione targhetta: 80 mm x 50 mm.

DISEGNO ETICHETTA PIASTRE GIREVOLI

CTA s.r.l. www.ctapomezia.it
Pomezia - Roma - tel. +39 06 91601096

P/N / Kg

P/N / Kg

Anno di costruzione

Lotto di produzione

DIMENSIONI IN SCALA

Azzurro elettrico

Tutte le scritte e cornici nere.

Materiale PVC argento satinato.

03	INSERITE INDICAZIONI MECCANISMO PIANO/CHIO	U.M.:	C.B.	MATERIALE	-
02	INSERITO LOTTO DI PRODUZIONE	U.M.:	F.R.	kg Insegni	-
01	VAR. ANNO ERA 2009	U.M.:	C.B.	TRATTAMENTO	-
REV.	REGOLAZIONE	ESIGENZA	VERIFICATO	ESIBITO	U.Mr.
CTA s.r.l.				CONTROLLATO	C.B.
				APPROVATO	D.B.
				DATA	12/01/2009
ADESIVO IDENTIFICATIVO PIASTRA GIREVOLE				FORMATO	A3
				SCALA	-
				CODICE	00230-P12
<small>PROPRIETA' CTA S.r.l. - RIPRODUZIONE VIETATA - DIRITTO TUTELATAI TERMINI DI LEGGE</small>					

ALLEGATO -B-

(FOTOGRAFIE)

SCHEDA INFORMATIVA DI RIFERIMENTO

Numero/del **CTACRS11** **24.03.2014**

DENOMINAZIONE COMMERCIALE COSTRUTTORE

CTA

VEICOLO A MOTORE

AUTOVEICOLO

DENOMINAZIONE DEL TIPO

R-CTAFY6 PG

INDICE DEL CONTENUTO ALLEGATO -B-

ARGOMENTO	Riferimento	Pagina
Piastra girevole 00215/00230	CTACR#11	1/4
	CTACR#12	
	CTACR#13	2/4
Piastra girevole 00164	CTACR#14	3/4
	CTACR#15	
	CTACR#16	4/4
	CTACR#17	

CTA POMEZIA (RM) - ITALIA	Regolamento UN/ECE 14, supplemento 3 alla serie 07 di modifiche		ALLEGATO	B
	VEICOLO A MOTORE R-CTAFY6 PG		PAGINA	1/4
	scheda inf.N.	CTACRS11	file:	093rcxs0.xls

Piastra girevole 00215/00230

FOTOGRAFIA Numero **CTACR#11**



CTA POMEZIA (RM) - ITALIA	Regolamento UN/ECE 14, supplemento 3 alla serie 07 di modifiche		ALLEGATO	B
	VEICOLO A MOTORE R-CTAFY6 PG		PAGINA	2/4
	scheda inf.N.	CTACRS11	file:	093rcxs0.xls

Piastra girevole 00215/00230

FOTOGRAFIA Numero **CTACR#12**



CTA POMEZIA (RM) - ITALIA	Regolamento UN/ECE 14, supplemento 3 alla serie 07 di modifiche		ALLEGATO	B
	VEICOLO A MOTORE R-CTAFY6 PG		PAGINA	3/4
	scheda inf.N.	CTACRS11	file:	093rcxs0.xls

Piastra girevole 00215/00230

FOTOGRAFIA Numero **CTACR#13**



CTA POMEZIA (RM) - ITALIA	Regolamento UN/ECE 14, supplemento 3 alla serie 07 di modifiche		ALLEGATO	B
	VEICOLO A MOTORE R-CTAFY6 PG		PAGINA	4/4
	scheda inf.N.	CTACRS11	file:	093rcxs0.xls

Piastra girevole 00215/00230

FOTOGRAFIA Numero **CTACR#14**

